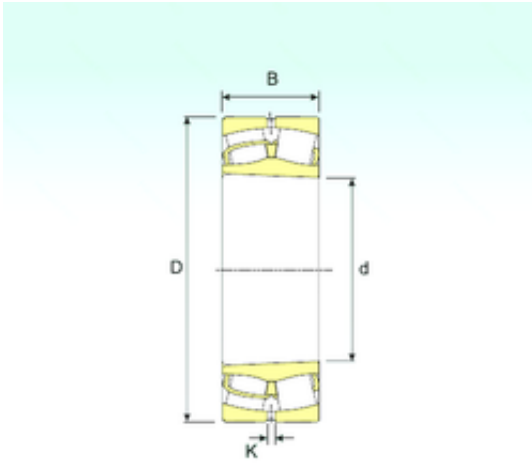




Rodamientos privados, Ltd.



23972 K Bearing 2D drawings and 3D CAD models

360 mm x 480 mm x 90 mm ISB 23972 K Rodamientos De Rodillos Esf é ricos

Bearing No. 23972 K

Size	360x480x90 mm
Bore Diameter	360 mm
Outer Diameter	480 mm
Width	90 mm
d	360 mm
D	480 mm
B	90 mm
C	90 mm
K	6 mm
Weight	46 Kg
Basic dynamic load rating (C)	1372 kN
Basic static load rating (C0)	2695 kN
(Grease) Lubrication Speed	994,5 r/min